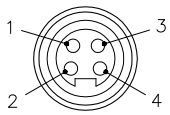
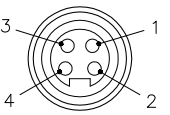
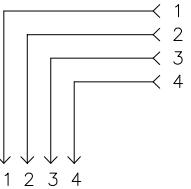
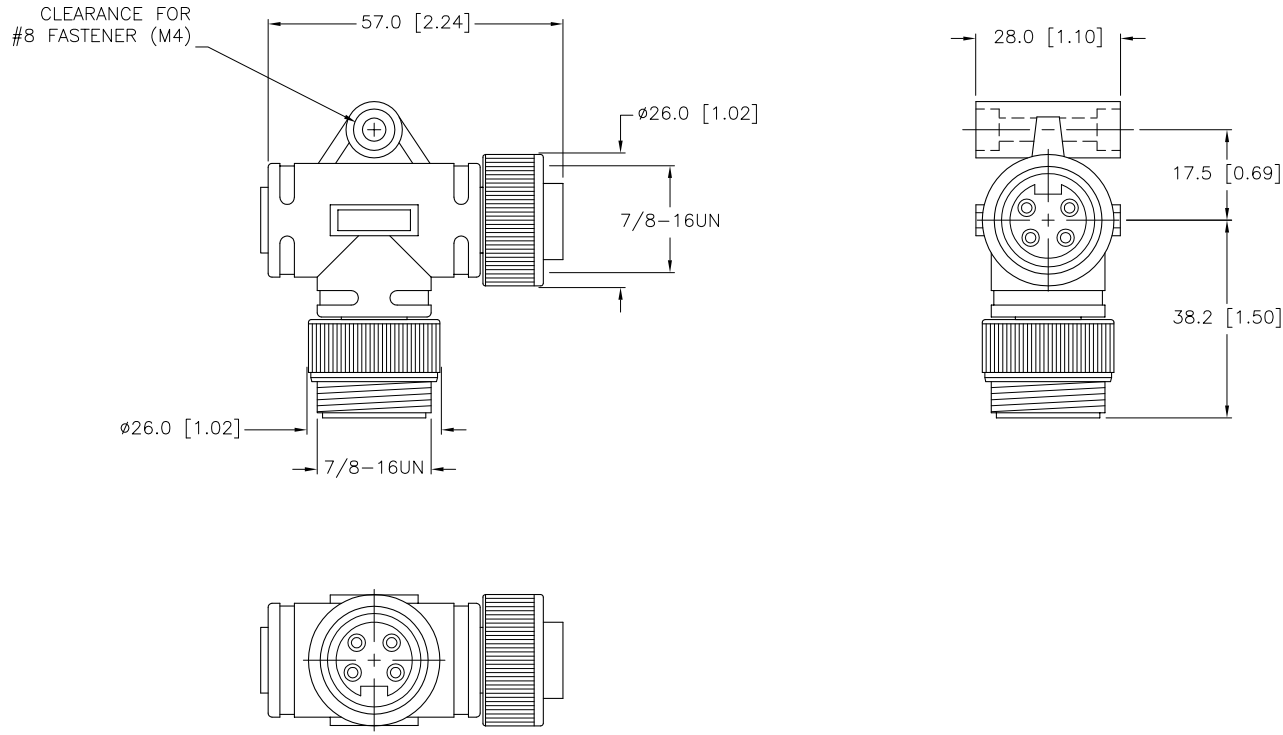
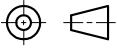


MALE END VIEW	FEMALE END VIEW	WIRING SCHEMATIC	SPECIFICATIONS	
			CONTACT CARRIER MATERIAL/COLOR	TPU/YELLOW
			MOLDED HEAD MATERIAL/COLOR	TPU/YELLOW
			CONTACT MATERIAL/PLATING	BRASS/GOLD
			COUPLING NUT MATERIAL/PLATING	BRASS/NICKEL
			RATED CURRENT [A]	9.0 A
			RATED VOLTAGE [V]	250 V
			TEMPERATURE RATING	-40°C to +80°C (-40°F to +176°F)
			PROTECTION CLASS	MEETS NEMA 1,3,4,6P AND IEC IP67



SOURCE DRAWING - FOR REFERENCE ONLY

RELATED DOCUMENTS 1. 2. 3. 4.	3RD ANGLE PROJECTION 	THIS DRAWING IS PROPERTY OF TURCK INC. USE OF THIS DOCUMENT WITHOUT WRITTEN PERMISSION IS PROHIBITED.	<div style="text-align: right;">           3000 CAMPUS DRIVE            MINNEAPOLIS, MN 55441            1-800-544-7769            (763) 553-7300            (763) 553-0708 fax            turck.com         </div>		
MATERIAL	ALL DIMENSIONS DISPLAYED ON THIS DRAWING ARE FOR REFERENCE ONLY	DRFT RWC	DATE 08/02/04	DESCRIPTION WSM RKM 40	
FINISH	CONTACT TURCK FOR MORE INFORMATION	UNIT OF MEASUREMENT <b>MILLIMETER [ INCH ]</b> DO NOT SCALE THIS DRAWING		IDENTIFICATION NO. U0908-99	REV B

B	DRAWING PROCESSED AS PART OF ECO 33971	CBM	04/07/11	33971
REV	DESCRIPTION	BY	DATE	ECO NO.